

# ***Zero Effluent System of***



# ***Budge Budge Generating Station***

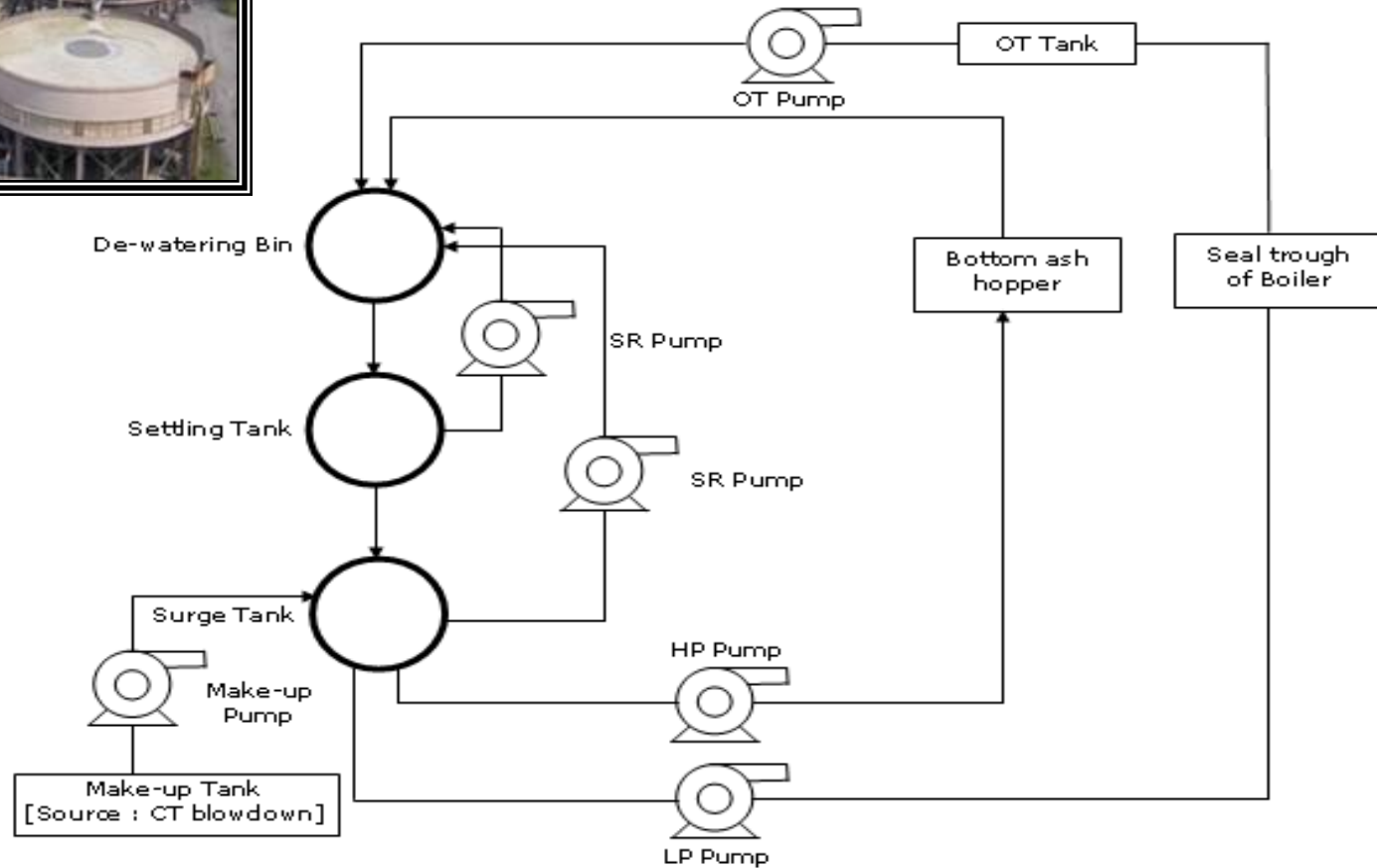
3 x 250 MW coal based thermal power plant



- **Source of water : River Hoogli**
- **Daily average water intake : 30,000 KI**

**Cooling Towers** for closed circuit cooling water system as a measure for water conservation





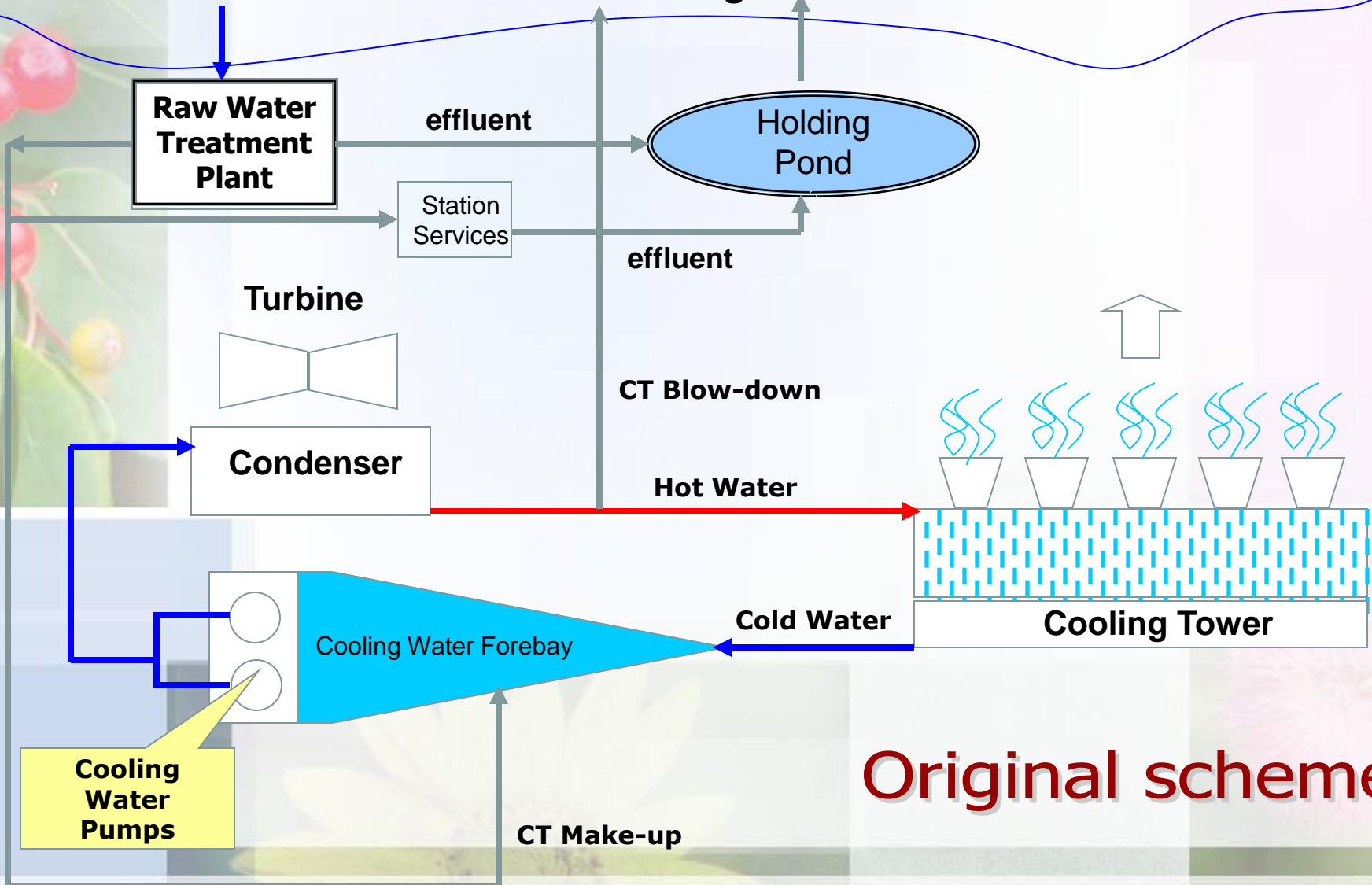
**Bottom ash system : A totally Zero-discharge system**

# The first step

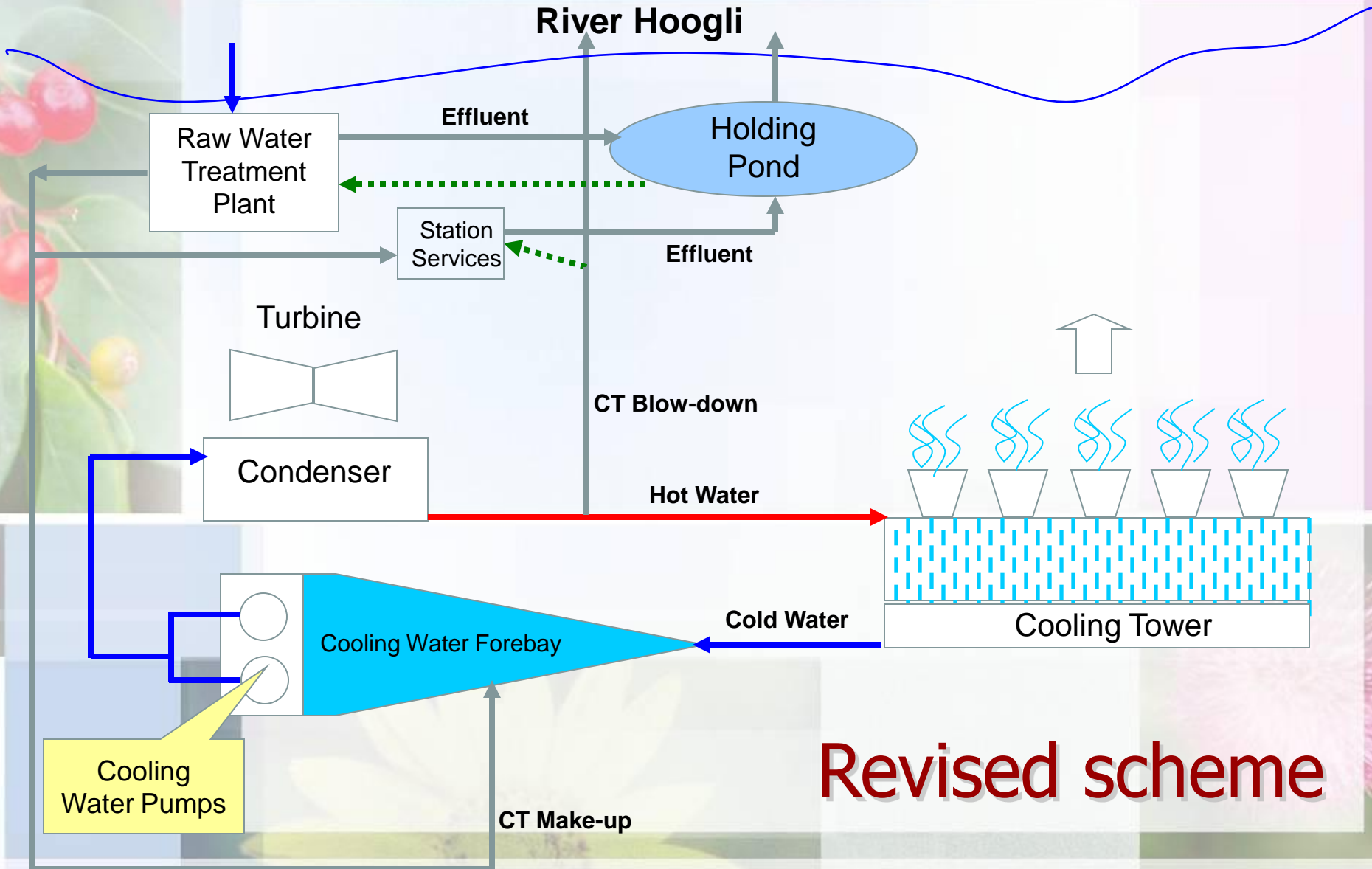


Segregation of DM PLant  
neutralising pit effluent discharge  
to a stand alone pond - 'Fish Pond'

# River Hoogli



**Original scheme**



**Revised scheme**



**Thank You**